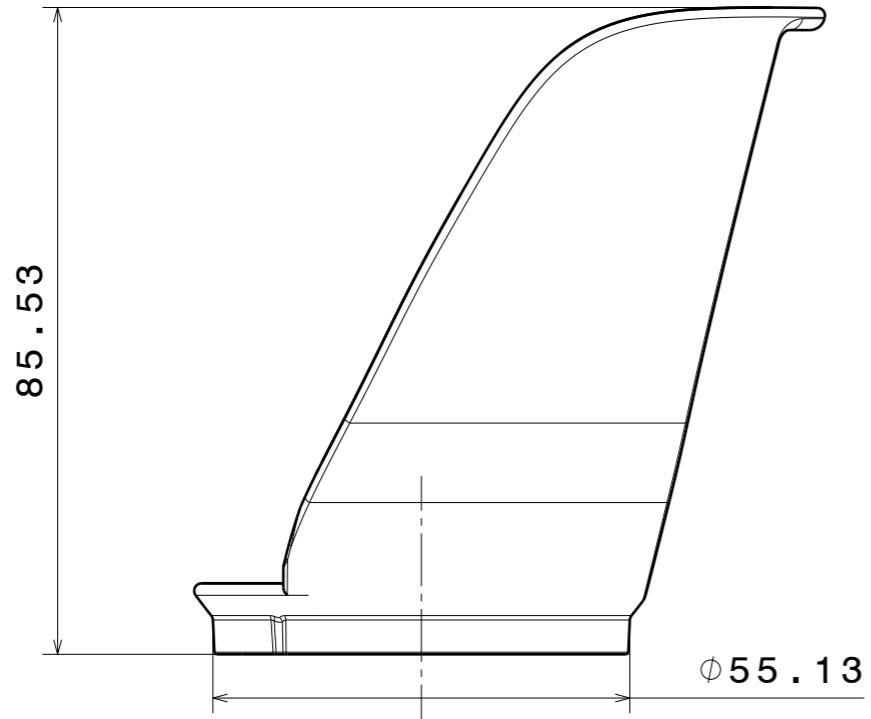
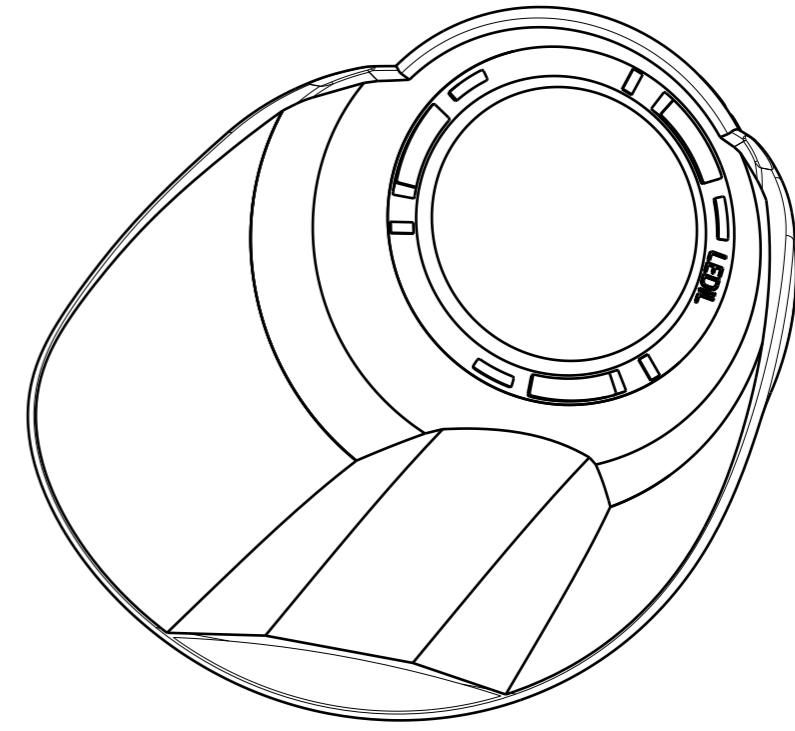


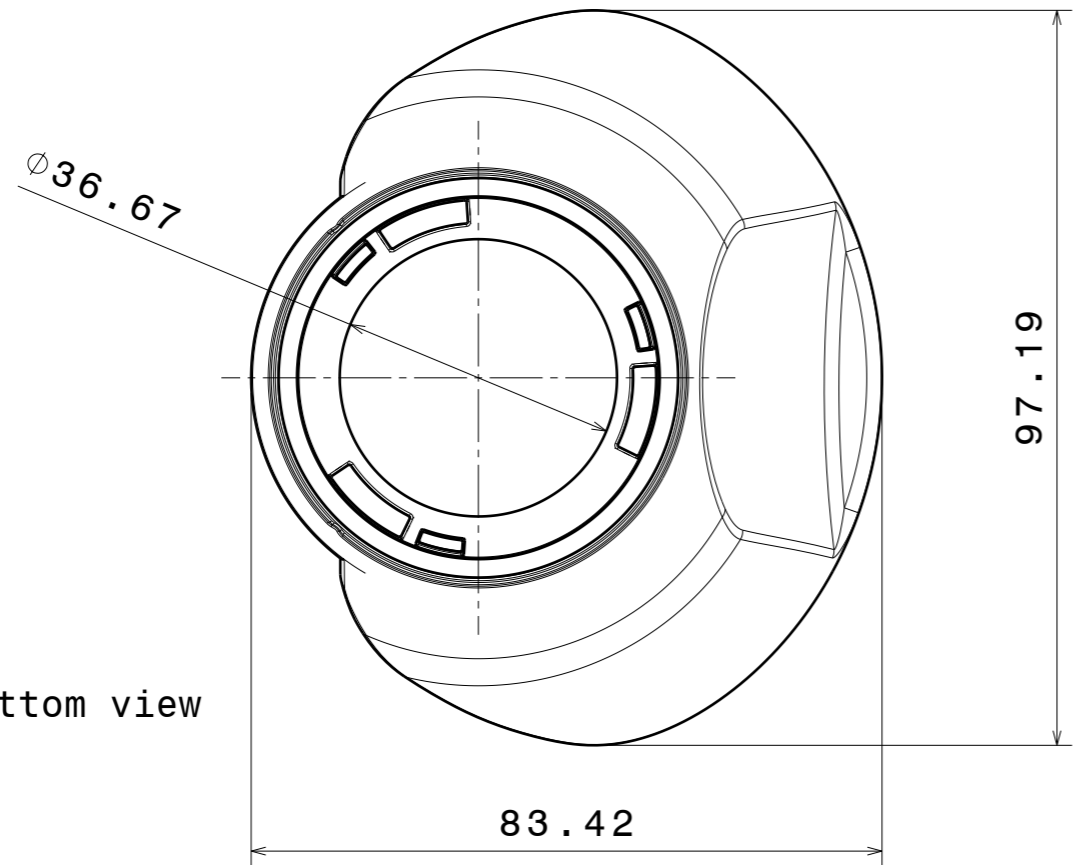
H G F E D C B A



Side view



Isometric view



Bottom view

INDEX	PART NO	DESCRIPTION	MATERIAL	COLOUR
1	C14346	ANGELETTE-WAS	PC	Metal

Tolerances if not otherwise shown
 According to DIN ISO 2768-1
 Linear measures: class C
 According to DIN ISO 2768-2
 Form and position: class L

LEDiL LediL Oy
 Salorankatu 10
 FIN 24240 SALO
 Finland

THIRD ANGLE PROJECTION:

DRAWING TITLE
C14346_ANGELETTE-WAS

This drawing is the property of LEDiL Oy. It may not be reproduced, copied or communicated without a written agreement with LEDiL Oy.

SIZE	PART NUMBER
A3	C14346

SCALE	1:1	WEIGHT	38,16 g	SHEET	1/1
-------	-----	--------	---------	-------	-----

H G B A